

NO.	DATE	BY

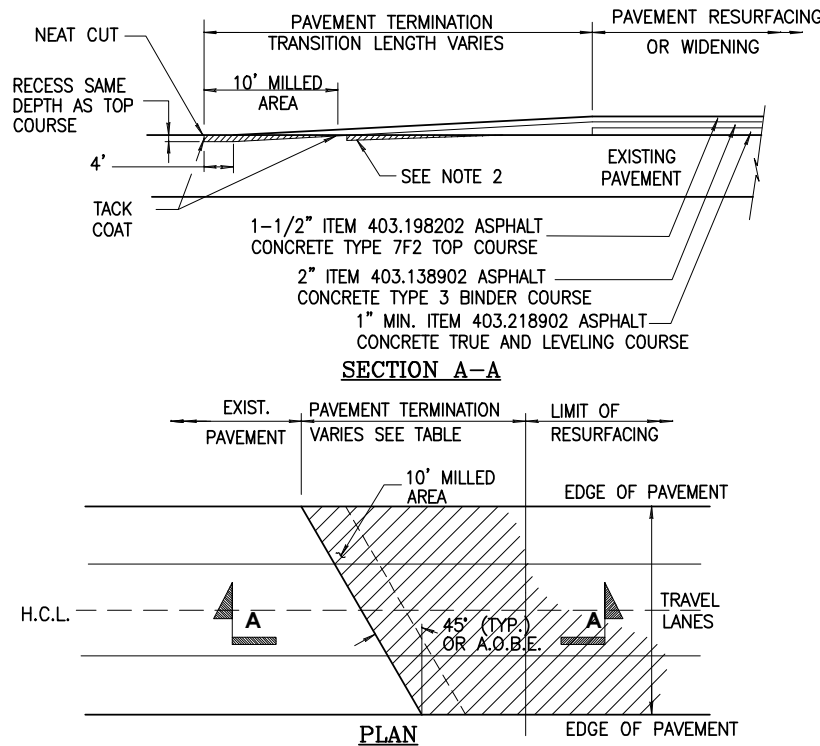
CONSULTANT
 Consultant Address: (585) 867-5309
 Rochester, New York XXXXX Fax: (585) 867-5309

PROJECT MANAGER: MANAGER
DRAWN BY: DRAFTER

DEPARTMENT OF TRANSPORTATION
 50 WEST MAIN STREET, SUITE 6100
 ROCHESTER, NEW YORK 14614-1231
UNAUTHORIZED REPRODUCTION OR ALTERATION TO THIS DRAWING IS A VIOLATION OF THE NEW YORK STATE EDUCATION LAW, ARTICLE 145, SECTION 7207

COUNTY ROAD #
PROJECT NAME
PROJECT LIMITS
TOWN
CAPITAL PROJECT NO. XXXX.XX

SCALE: NOT TO SCALE
DATE ISSUED: DATE
DRAWING NO. 20 OF 22



POSTED SPEED MPH	30	35	40	45	50	55	60	65
K	16.67	19.17	21.67	24.17	27.50	30.00	32.50	35.00

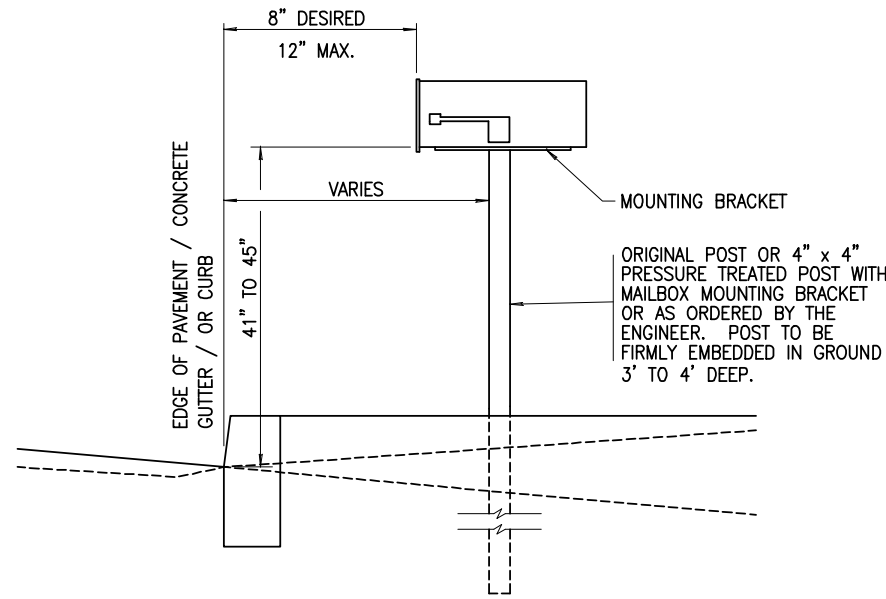
EXAMPLE:
 IF THE POSTED SPEED IS 55 MPH.
 EFFECTIVE OVERLAY THICKNESS = 2".
 THEN THE MINIMUM TRANSITION LENGTH
 = 2" x 30 FT/IN = 60 FEET.

NOTES:

- THE COST OF ALL WORK ASSOCIATED WITH PAVEMENT TERMINATION (NEAT CUT, TACK COAT, PAVEMENT REMOVAL) SHALL BE INCLUDED IN THE PRICE BID FOR THE VARIOUS ASPHALT ITEMS. TACK COAT SHALL MEET THE REQUIREMENTS OF SECTION 702-F OF THE STANDARD SPECIFICATIONS.
- IF BINDER COURSE IS LEFT EXPOSED OVER WINTER, IT SHALL BE KEYED INTO THE EXISTING PAVEMENT WITH AN 3" DEEP RECESS.
- THE TRANSITION LENGTH IN METERS SHALL NOT BE LESS THAN THE VALUE OBTAINED BY MULTIPLYING THE EFFECTIVE OVERLAY THICKNESS IN MILLIMETERS (DIFFERENCE BETWEEN THE EXISTING AND THE OVERLAID ELEVATIONS) BY THE K VALUE FROM THE TABLE FOR THE POSTED SPEED OF THE HIGHWAY OR AS ORDERED BY THE ENGINEER. THE MINIMUM TRANSITION LENGTH IS TEN METERS. SEE EXAMPLE AND TABLE.
- IN THE TRANSITION AREA, PAVEMENT COURSES OTHER THAN THE TOP COURSE SHALL BE FEATHERED OUT USING TOP COURSE OR OTHER APPROPRIATE MATERIAL. PAYMENT SHALL BE MADE UNDER THE APPROPRIATE ITEM.

PAVEMENT TERMINATION - RESURFACING

NOT TO SCALE - REVISED: 03/12/23



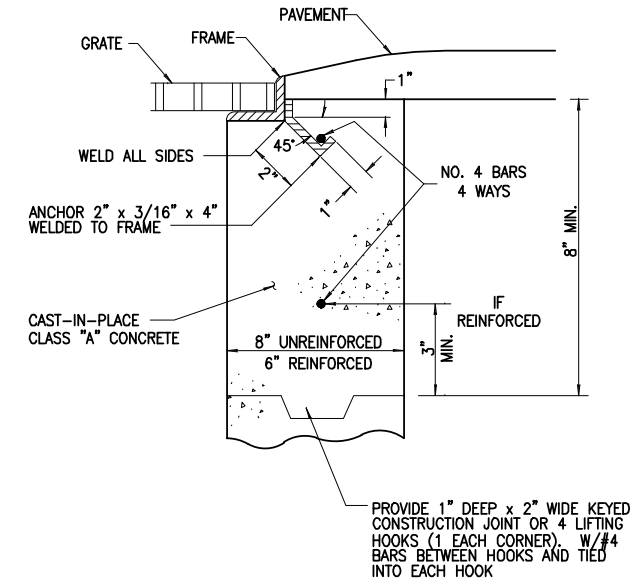
NOTES:

- THIS DETAIL MEETS THE STANDARDS OF THE U.S. POSTAL SERVICE AND IS TO BE USED AS A GUIDE FOR THE RELOCATION OF MAILBOXES.
- NO MAILBOX SHALL BE REMOVED AND/OR RELOCATED WITHOUT 5 DAYS WRITTEN NOTICE TO THE OWNING PARTY
- PAYMENT FOR RELOCATION AND/OR REINSTALLATION OF MAILBOXES SHALL BE MADE UNDER ITEM 619.27 - MAILBOXES.

MAILBOX INSTALLATION

ITEM 619.27

NOT TO SCALE - REVISED: 06/12/23



D.I. CAP ADJUSTMENT IN PAVEMENT SECTION

NOT TO SCALE - REVISED: 06/12/23